

Ø 22.5mm

## BUZZER ILLUMINATED



### Features

- Ø22.5mm dia cutout
- 4 LED Bright Luminance
- All Colors Red, Green, Yellow and Blue Available
- Voltages Available 230VAC, 12VDC, 24VDC
- 1 Year Warranty

### TECHNICAL SPECIFICATION

Rated Voltage	230VAC, 12VDC, 24VDC
Operating Voltage	-20% to +10% of rated voltage
Rated Working Current	≤ 20mA max
Voltage Fluctuation Range	+20% (above 110V)
Operating Frequency	50/60 Hz
Insulation Resistance	Ui ≤ 60V5MΩ
Withstand Voltage	2.5KV (AC effective value) 1min.
Continues Working Life	≥ 3,0000Hrs
Brightness	≤ 100cd/m <sup>2</sup>

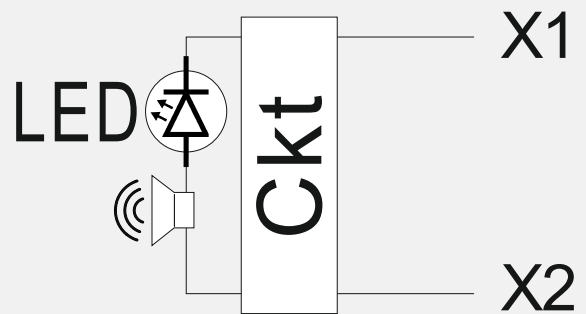
### OTHER SPECIFICATION

Degree of Protection	IP20
Confirming of Standard	IEC60947-5-1, EN60947-5-1

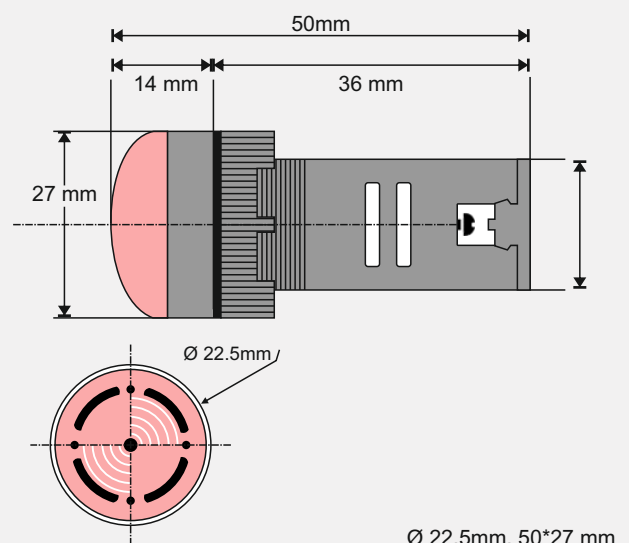
### ORDER CODE

MODEL	VOLTAGE	COLOUR
LB22-A230-R	230V AC	● RED
LB22-A230-G		● GREEN
LB22-A230-Y		● YELLOW
LB22-A230-B		● BLUE
LB22-D12-R	12V DC	● RED
LB22-D24-R	24V DC	

### INTERNAL WIRING DIAGRAM



### DIMENSIONS



Ø 22.5mm, 50\*27 mm